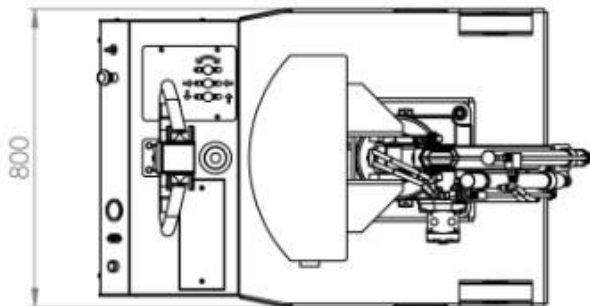
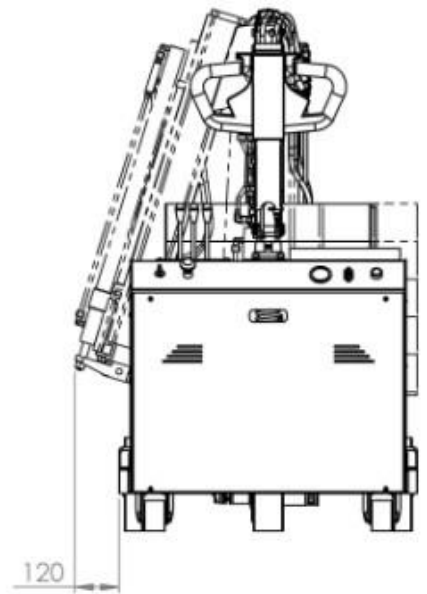
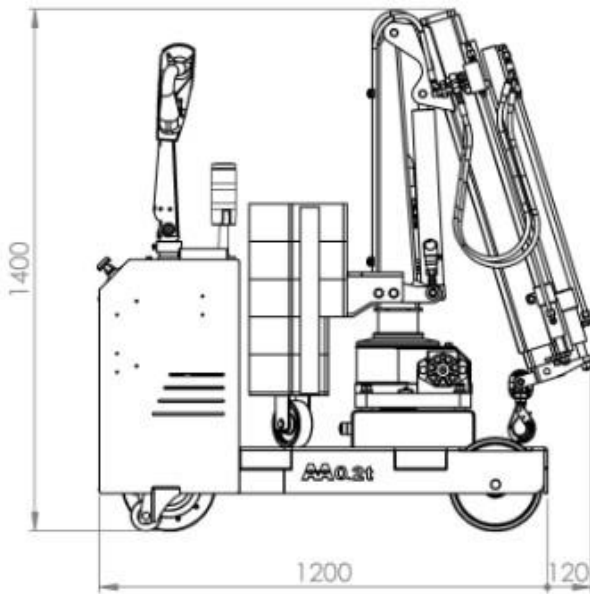


**CRANE ORBIT 200EL**  
**LIFTING CAPACITY 200 KG**  
**MOTORISED COUNTERBALANCED SWIVEL CRANE**  
**ELECTRIC LIFT/LOWER/EXTEND/RETRACT/ROTATION THROUGH CONTROL LEVERS**  
**AT ADJUSTABLE SPEED**

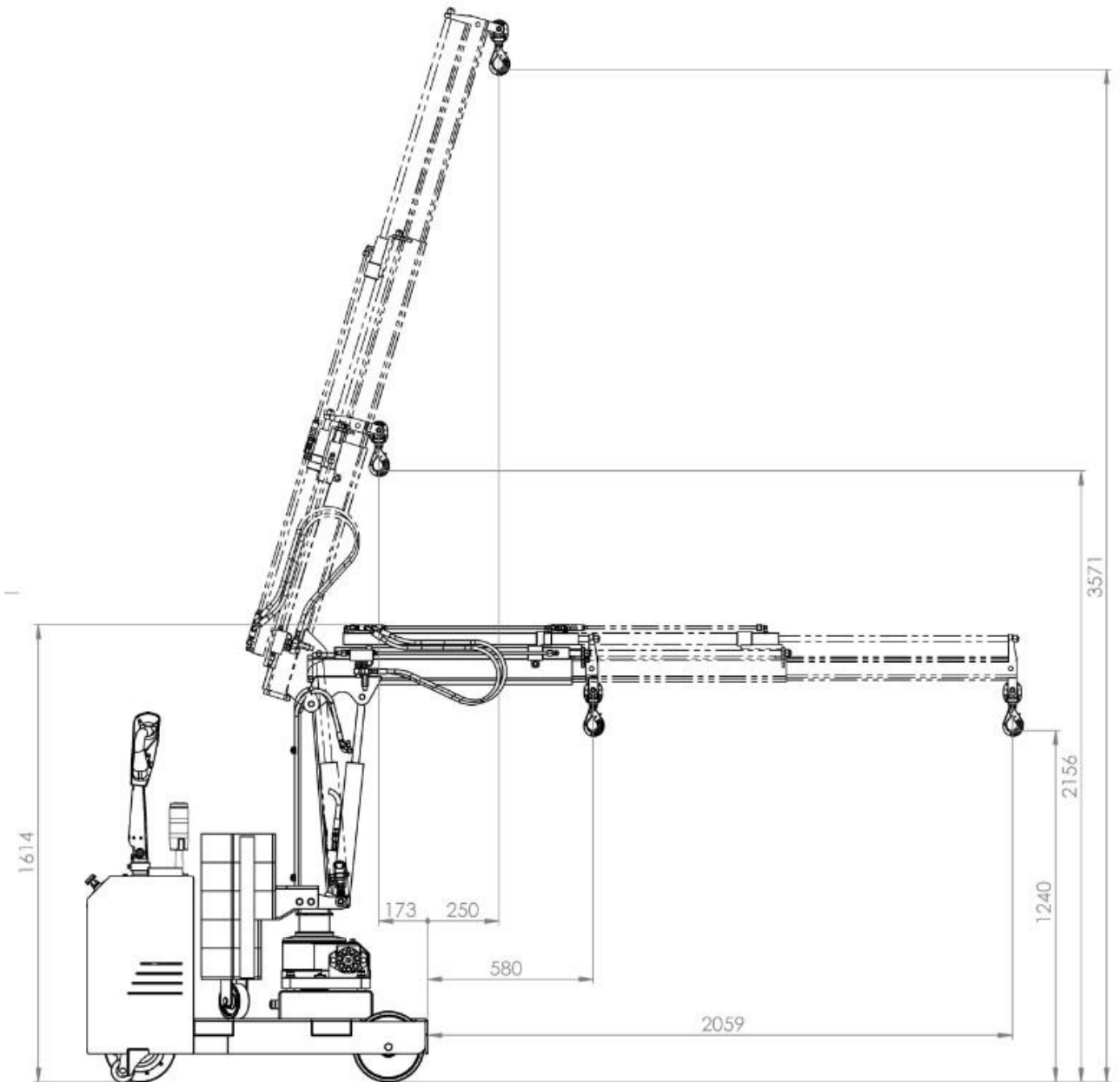


<b>Model</b>		<b>ORBIT 200EL</b>
Drive		Electric
Rotation		210° electric controlled
Arm lifting		Electric – control lever
Arm lowering		Electric – control lever
Arm extension		Electric – control lever
Width with arm not rotated	mm/inch.	800 / 31
Width with arm rotated at 90°	mm/inch.	800 / 31
Max capacity with standard double boom	Kg / lbs.	200 / 440 * see load chart below
Weight of the crane (counterweight incl.)	Kg / lbs.	800 / 1763
Battery type standard		Maintenance free AGM
Batteries nos.	pcs	2
Battery voltage / nominal capacity	V / Ah	12 / 120
Lifting motor	W	800
Traction motor	W	1200

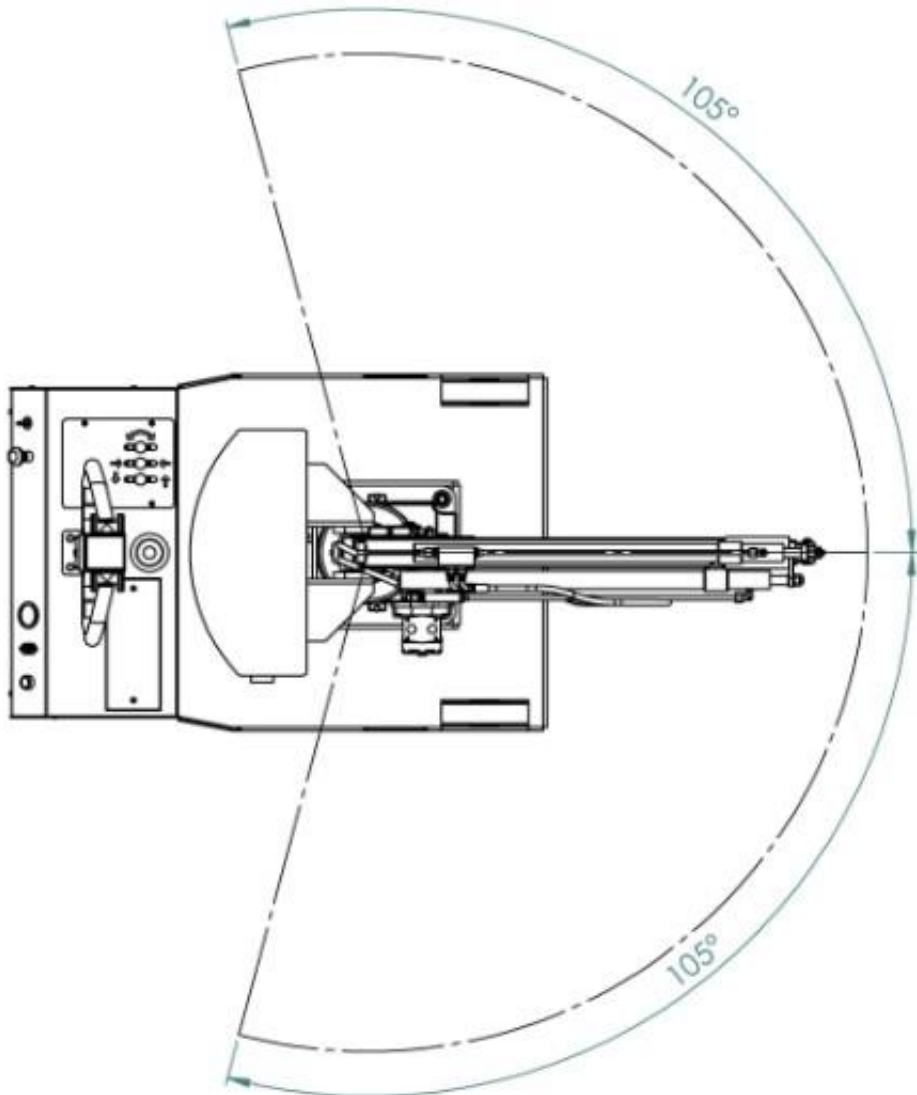
## CRANE ORBIT 200EL MAIN DIMENSIONS



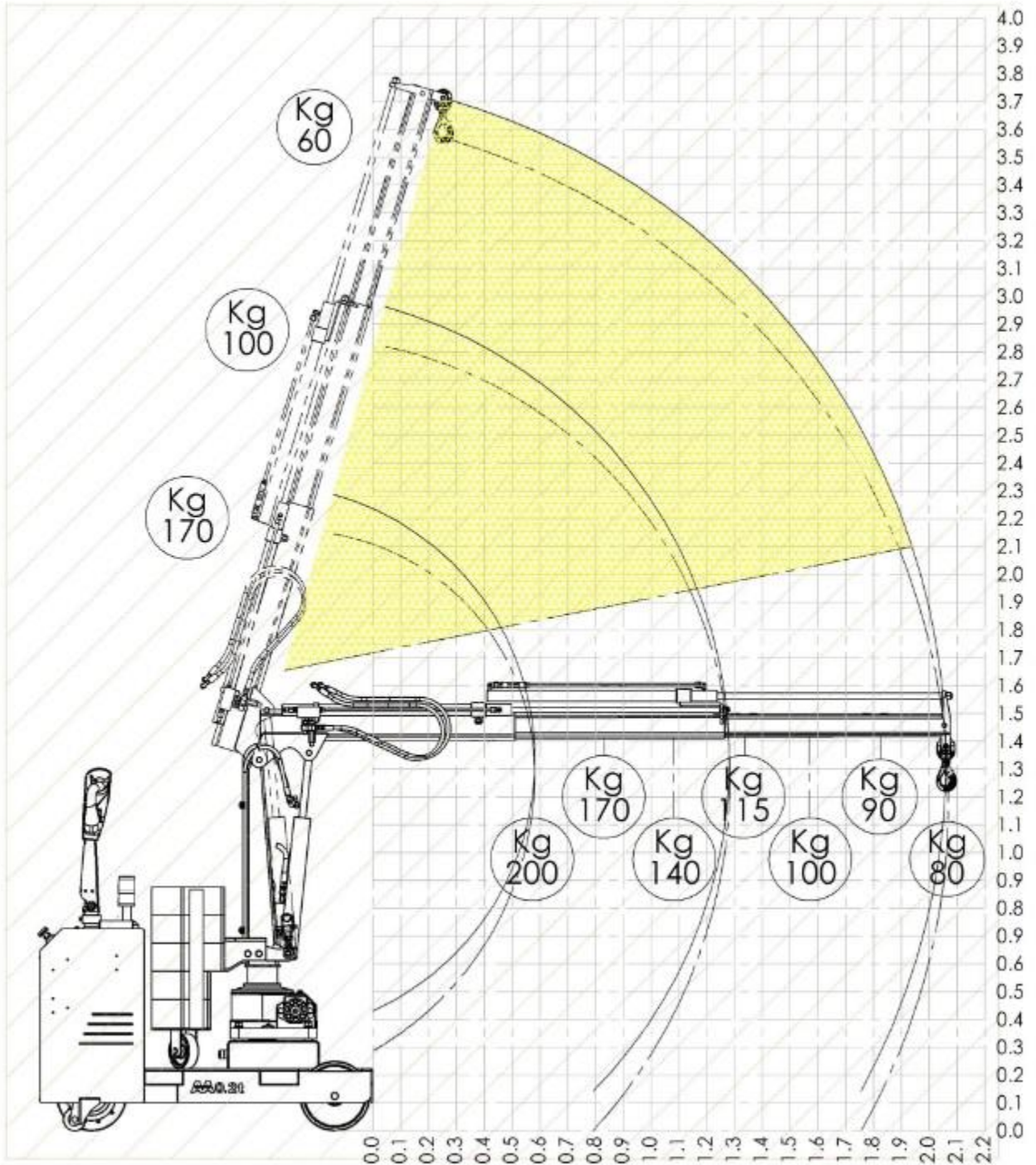
## CRANE ORBIT 200EL DETAILED DIMENSIONS WITH STANDARD ELECTRIC TELESCOPIC DOUBLE BOOM



## CRANE ORBIT 200EL MAIN DIMENSIONS



## CRANE ORBIT 200EL LOAD CHART WITH STANDARD ELECTRIC TELESCOPIC DOUBLE BOOM



## CRANE ORBIT 200ER

LIFTING CAPACITY 200 KG

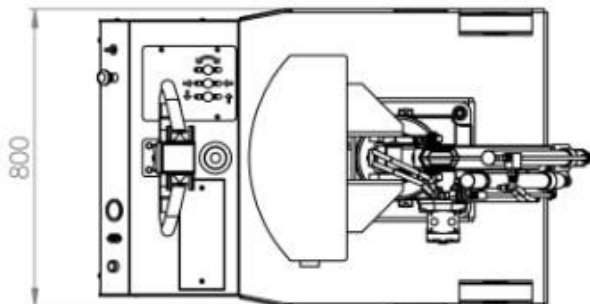
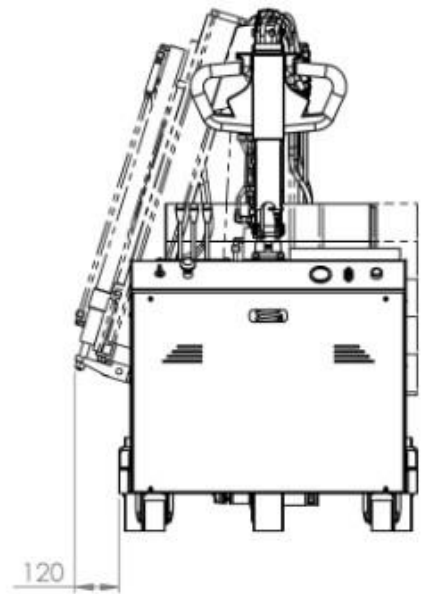
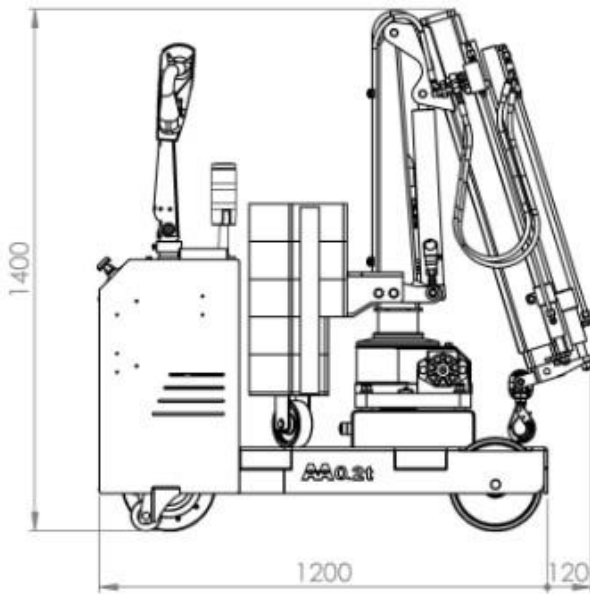
MOTORISED COUNTERBALANCED SWIVEL CRANE

ELECTRIC LIFT/LOWER/EXTEND/RETRACT/ROTATION THROUGH PUSH BUTTON REMOTE CONTROL  
AT ADJUSTABLE SPEED

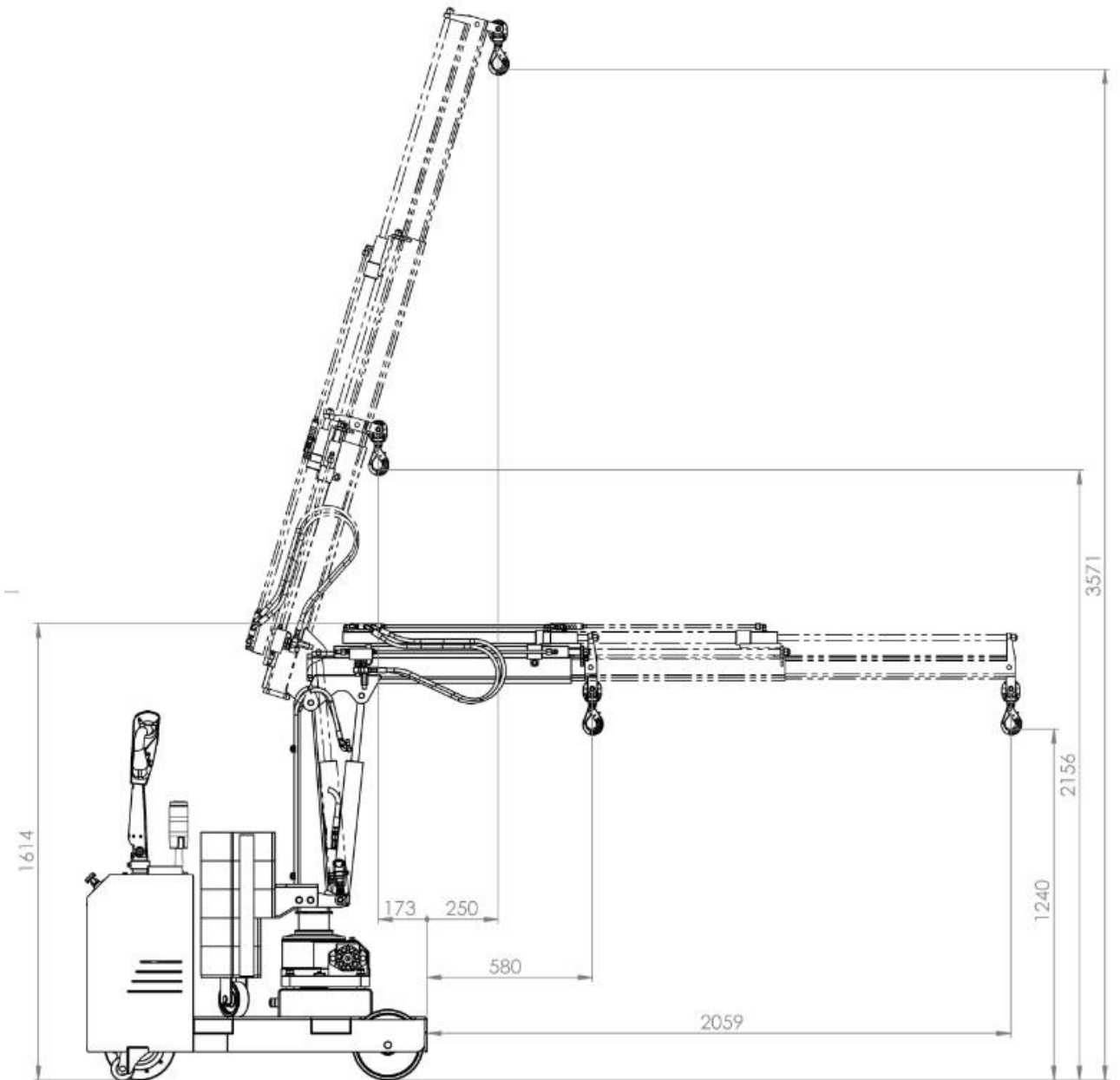


Model		ORBIT 200ER
Drive		Electric
Rotation		210° electric controlled
Arm lifting		Electric – remote control
Arm lowering		Electric – remote control
Arm extension		Electric – remote control
Width with arm not rotated	mm/inch.	800 / 31
Width with arm rotated at 90°	mm/inch.	800 / 31
Max capacity with standard double boom	Kg / lbs.	200 / 440 * see load chart below
Weight of the crane (counterweight incl.)	Kg / lbs.	800 / 1763
Battery type standard		Maintenance free AGM
Batteries nos.	pcs	2
Battery voltage / nominal capacity	V / Ah	12 / 120
Lifting motor	W	800
Traction motor	W	1200

## CRANE ORBIT 200ER MAIN DIMENSIONS

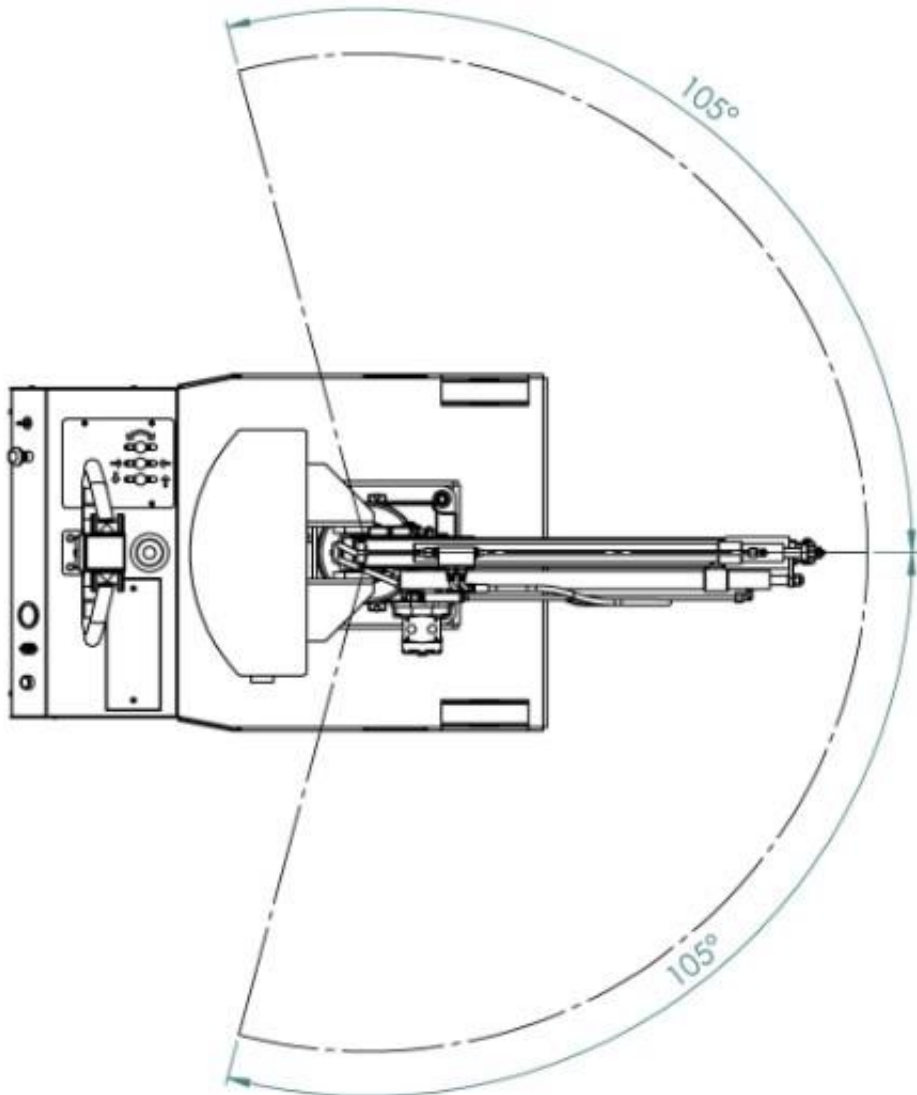


## CRANE ORBIT 200ER DETAILED DIMENSIONS WITH STANDARD ELECTRIC TELESCOPIC DOUBLE BOOM





## CRANE ORBIT 200ER MAIN DIMENSIONS



## CRANE ORBIT 200ER LOAD CHART WITH STANDARD ELECTRIC TELESCOPIC DOUBLE BOOM

