

CRANE ORBIT 500EL

LIFTING CAPACITY 500 KG

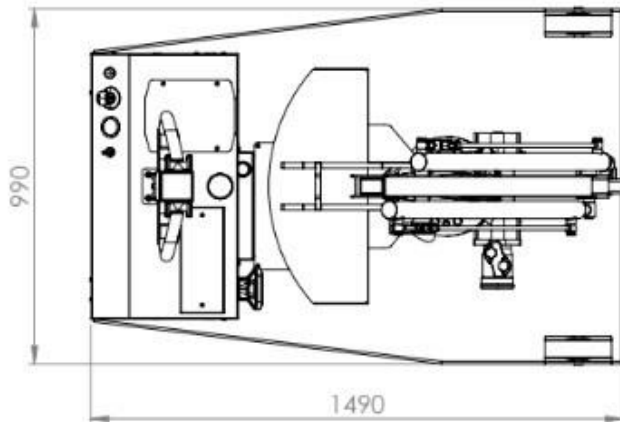
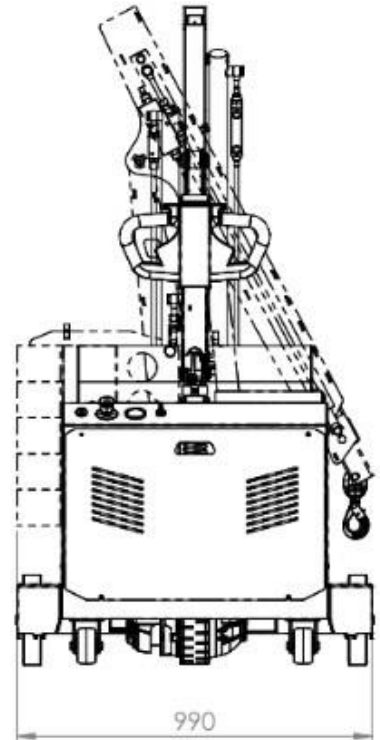
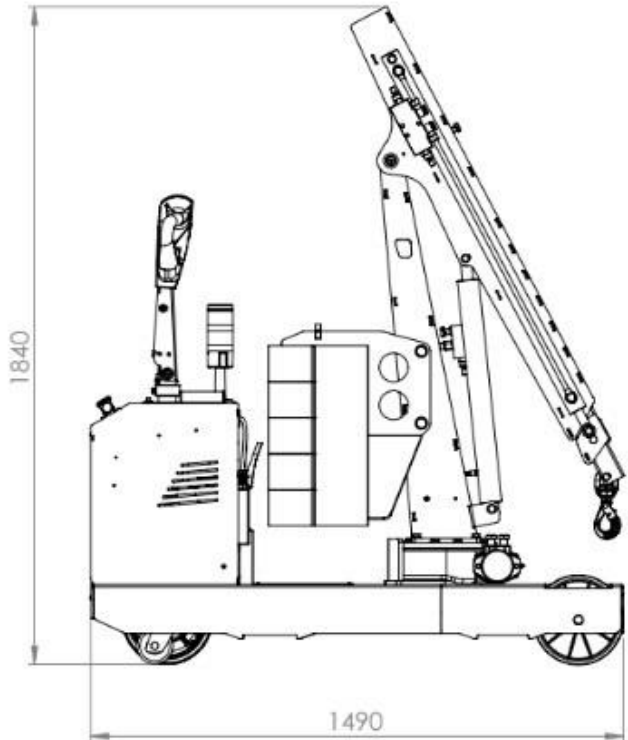
MOTORISED COUNTERBALANCED SWIVEL CRANE

ELECTRIC LIFT/LOWER/EXTEND/RETRACT/ROTATION THROUGH CONTROL LEVERS
AT ADJUSTABLE SPEED

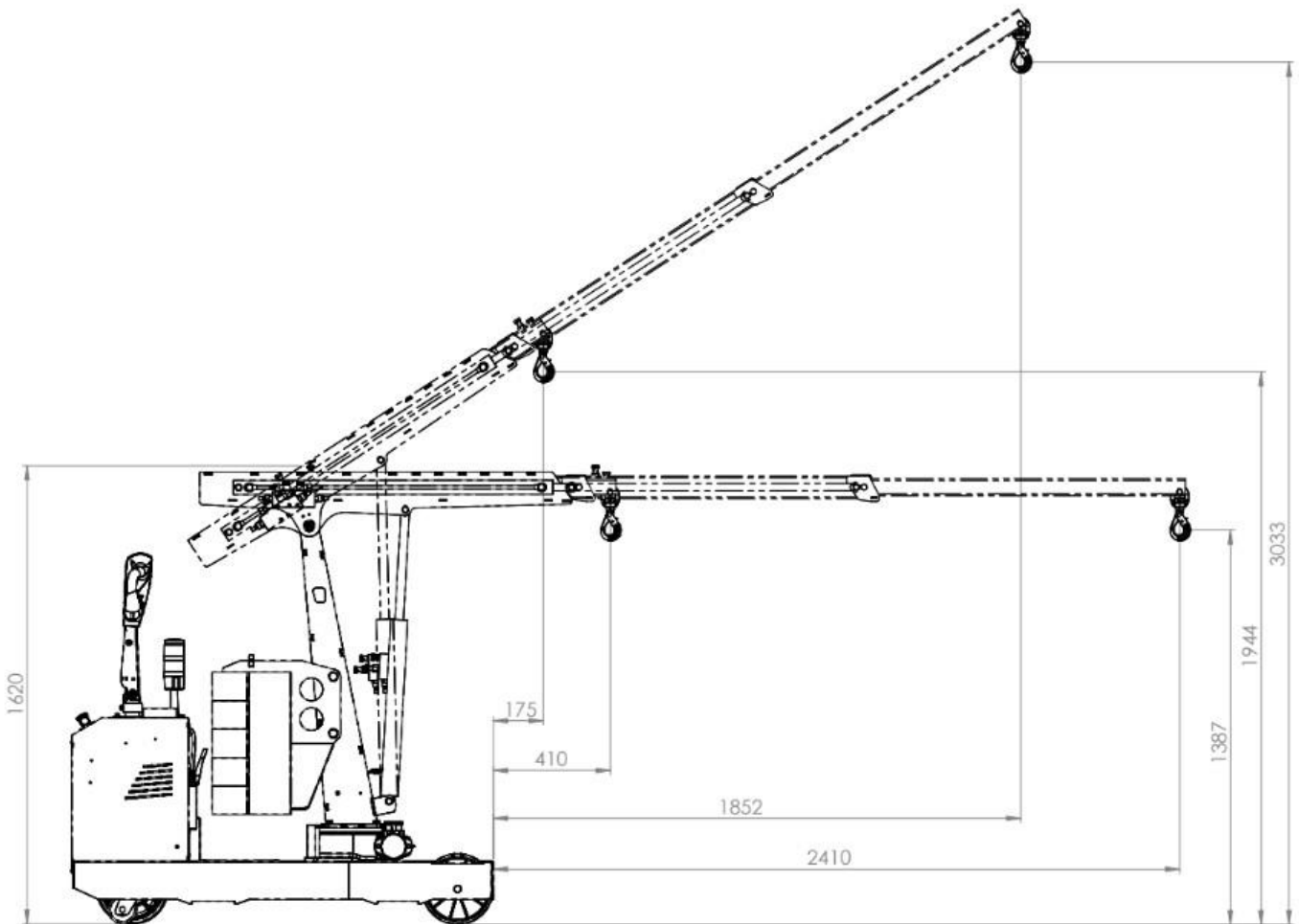


Model		ORBIT 500EL
Drive		Electric
Rotation		210° electric controlled
Arm lifting		Electric – control lever
Arm lowering		Electric – control lever
Arm extension		Electric – control lever
Width with arm not rotated	mm/inch.	990 / 39
Width with arm rotated at 90°	mm/inch.	990 / 39
Max capacity with standard double boom	Kg / lbs.	500 / 1102 * see load chart below
Weight of the crane (counterweight incl.)	Kg / lbs.	1100 / 2425
Battery type standard		Maintenance free AGM
Batteries nos.	pcs	2
Battery voltage / nominal capacity	V / Ah	12 / 120
Lifting motor	W	800
Traction motor	W	1200

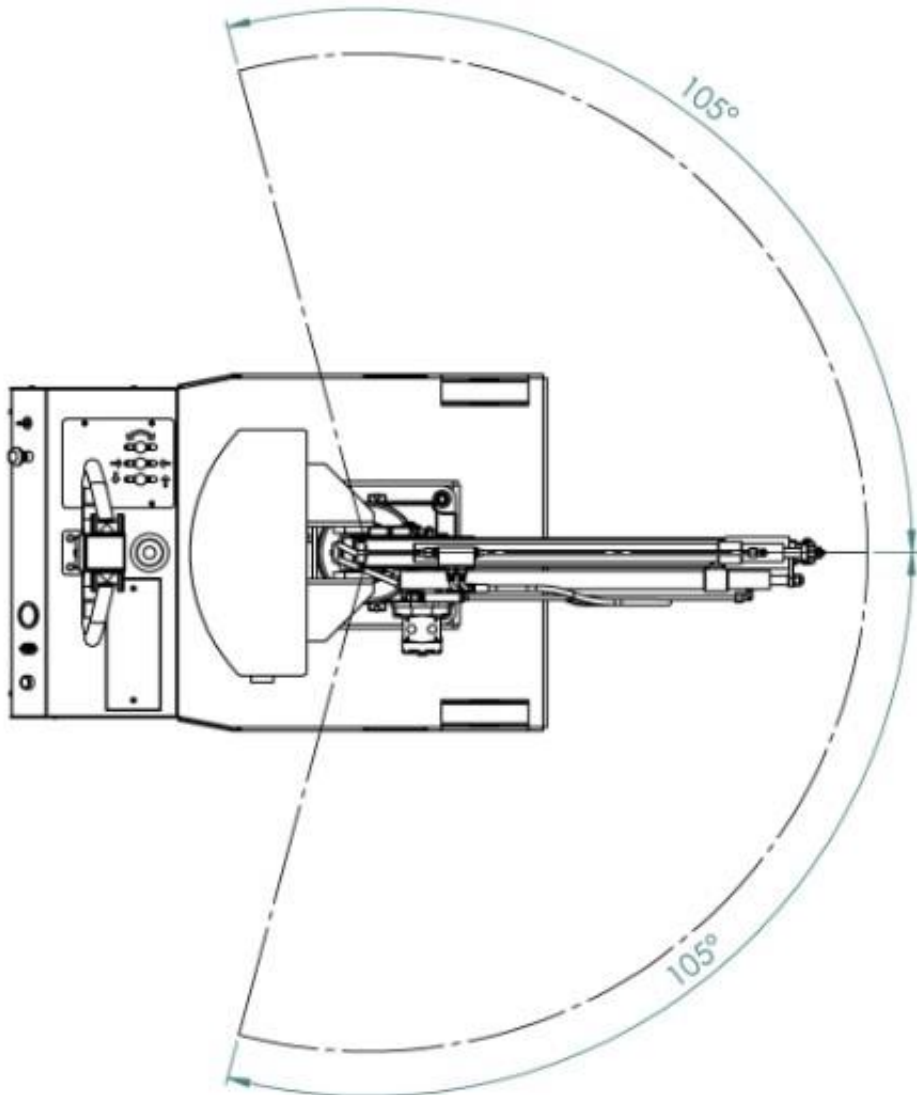
CRANE ORBIT 500EL MAIN DIMENSIONS



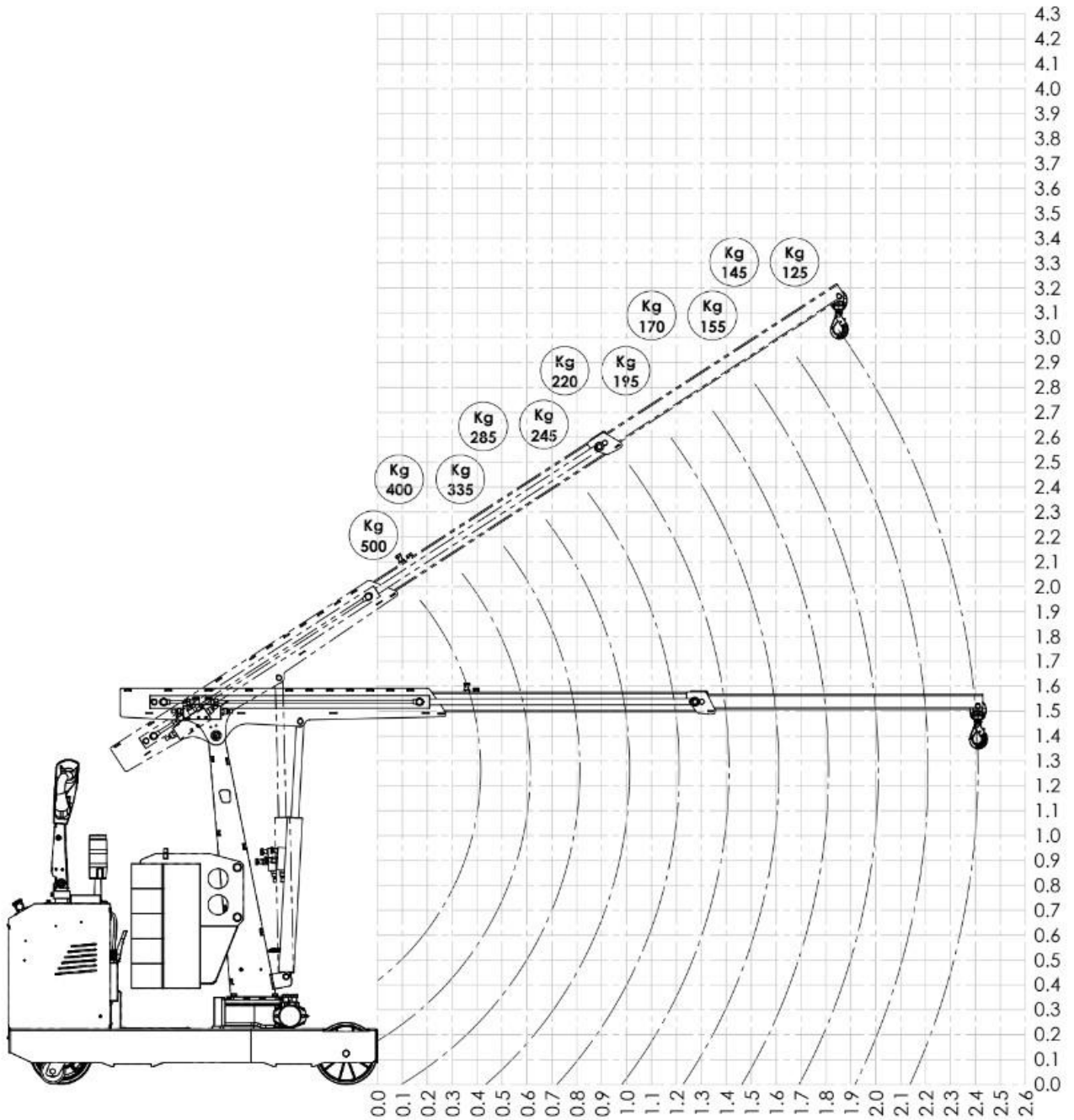
CRANE ORBIT 500EL DETAILED DIMENSIONS WITH STANDARD ELECTRIC TELESCOPIC DOUBLE BOOM



CRANE ORBIT 500EL MAIN DIMENSIONS



CRANE ORBIT 500EL LOAD CHART WITH STANDARD ELECTRIC TELESCOPIC DOUBLE BOOM



CRANE ORBIT 500ER

LIFTING CAPACITY 500 KG

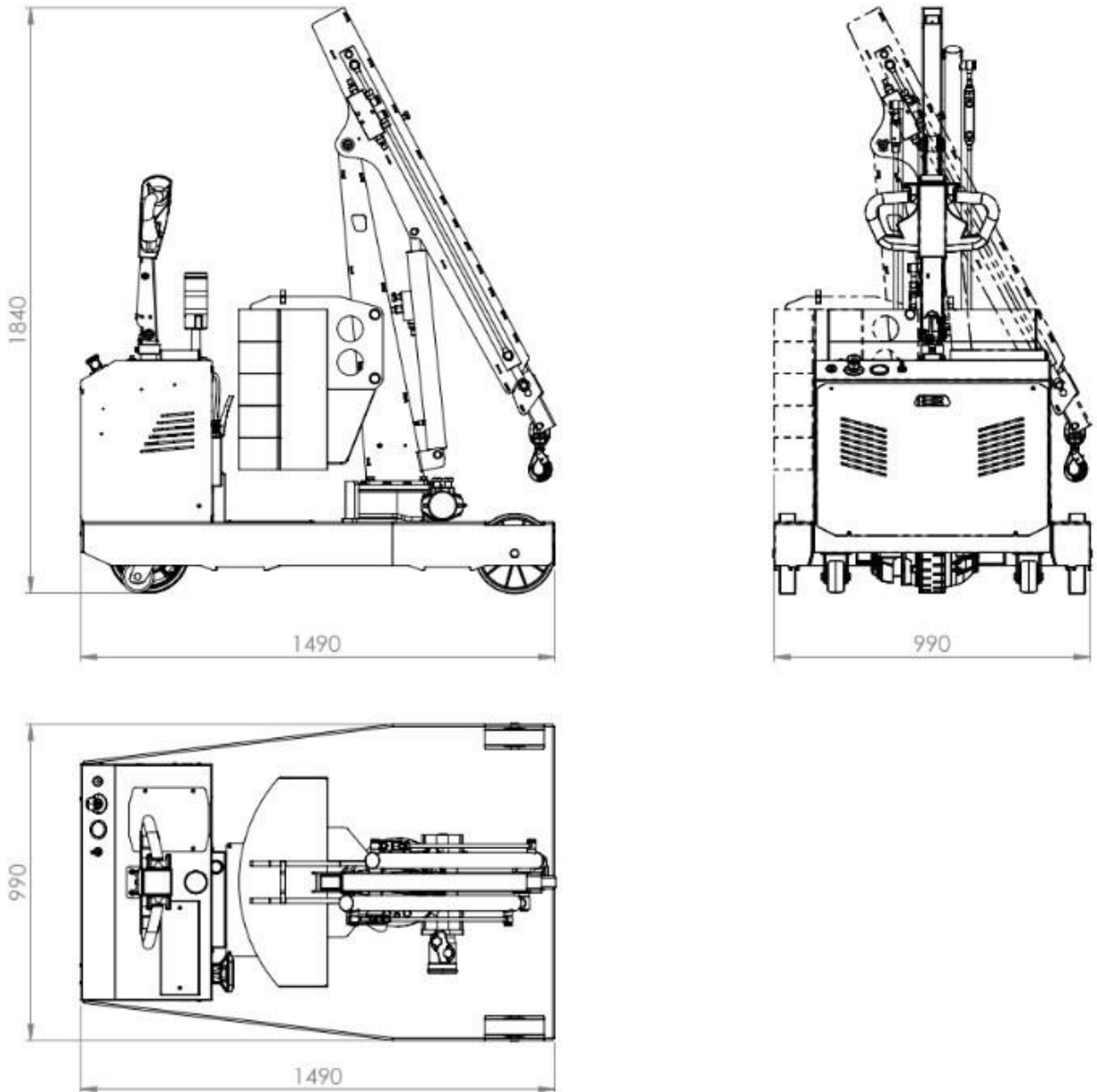
MOTORISED COUNTERBALANCED SWIVEL CRANE

ELECTRIC LIFT/LOWER/EXTEND/RETRACT/ROTATION THROUGH PUSH BUTTON REMOTE CONTROL
AT ADJUSTABLE SPEED

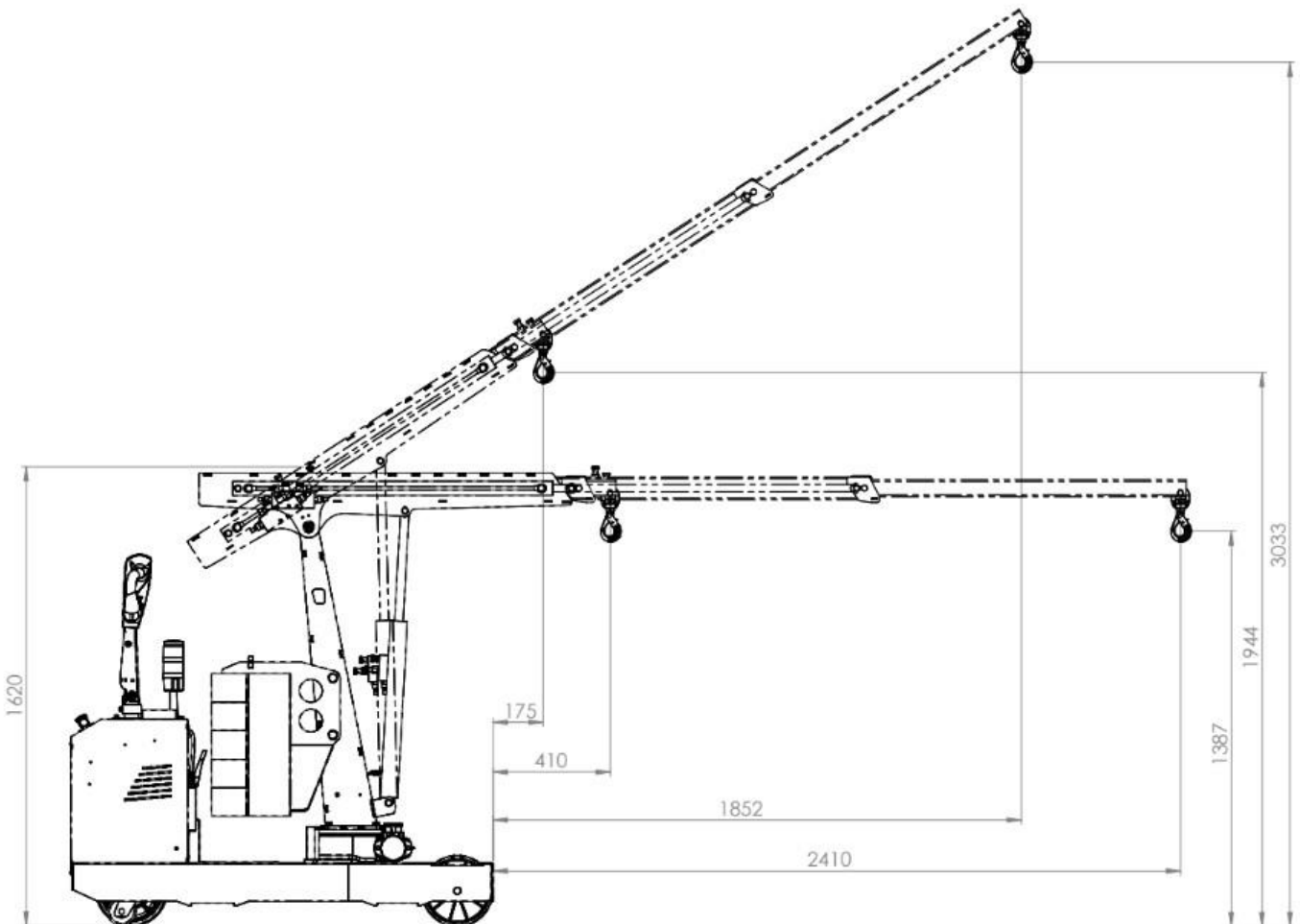


Model		ORBIT 500ER
Drive		Electric
Rotation		210° electric controlled
Arm lifting		Electric – remote control
Arm lowering		Electric – remote control
Arm extension		Electric – remote control
Width with arm not rotated	mm/inch.	990 / 39
Width with arm rotated at 90°	mm/inch.	990 / 39
Max capacity with standard double boom	Kg / lbs.	500 / 1102 * see load chart below
Weight of the crane (counterweight incl.)	Kg / lbs.	1100 / 2425
Battery type standard		Maintenance free AGM
Batteries nos.	pcs	2
Battery voltage / nominal capacity	V / Ah	12 / 120
Lifting motor	W	800
Traction motor	W	1200

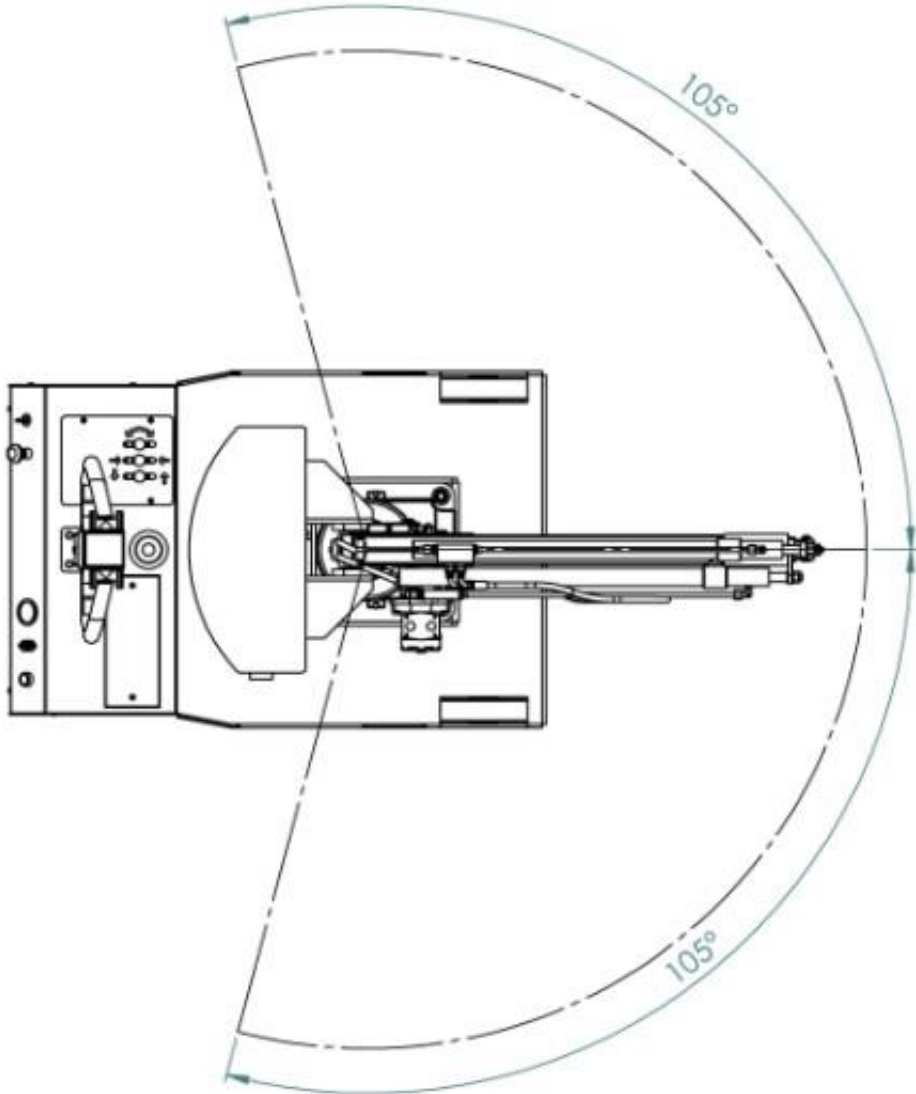
CRANE ORBIT 500ER MAIN DIMENSIONS



CRANE ORBIT 500ER DETAILED DIMENSIONS WITH STANDARD ELECTRIC TELESCOPIC DOUBLE BOOM



CRANE ORBIT 500ER MAIN DIMENSIONS



CRANE ORBIT 500ER LOAD CHART WITH STANDARD ELECTRIC TELESCOPIC DOUBLE BOOM

